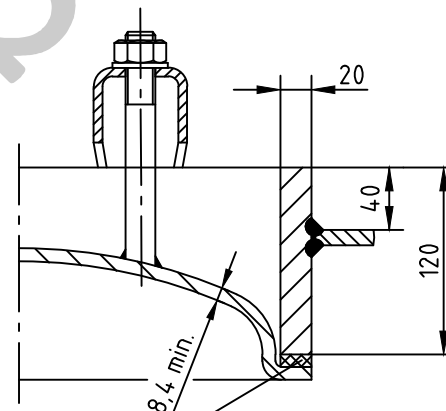
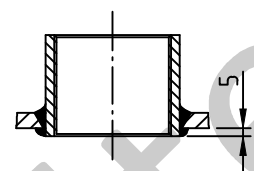


G 2x=G 2 galva.-socket

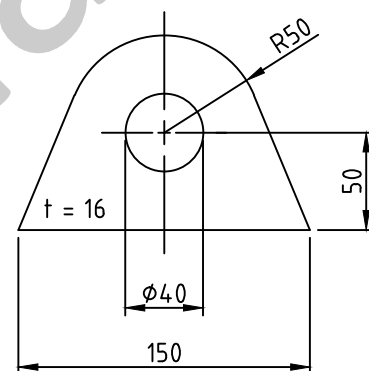
socket welding

OAB 51 - manhole lock 320/420
tested components

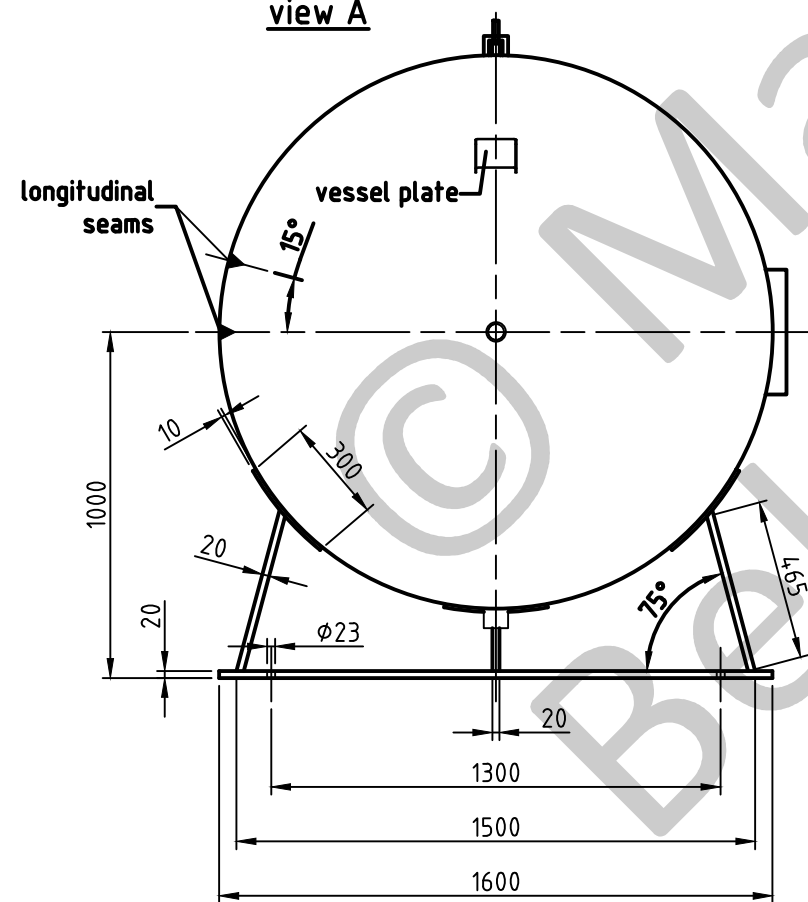
drain and plug socket
inside flush



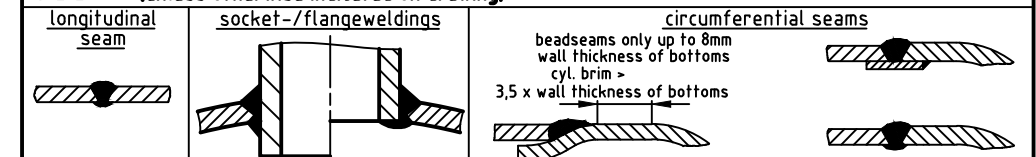
1a rubber gasket up to 70°C



view A



SEAMS (unless otherwise indicated on drawing):



pressure variation :

pressure swing 0-16 bar max. operations 1.000

infinite operation of pressure swing within 20% of 16 bar

operational characteristics / calculation characteristics :

volume V (litre)	: 10000
max. working pressure PS (bar)	: 16
test pressure PT (bar)	: 22,88
min. working temp. TS (°C)	: -10
max. working temp. TS (°C)	: 50
fluid	: compressed air (fluid group 2)
location	: inside and outside building possible

coating :

inside : hot dip galvanized
outside : hot dip galvanized

manufacturing and testing

acc. to PED 2014 / 68 / EU - AD 2000

conformity benchmark :

fluid group : 2	categorie : IV
diagram : 2	module : H1

scale :	1:22.5
our no. :	-
order no. :	-
used for :	M+B Standardvessel
weight :	ca.2540 kg
sheet :	1
of sheet :	1
date of plot :	07.07.2015
file :	ENG-010885

Maschinen- und Behälterbau GmbH

date	name
compl. 07.07.2015	CW
appr. 07.07.2015	Nota 2

follow protection mark acc. to DIN 34

Betzdorfer Str. 170
57567 Daaden
Tel. 02743/9330-12
Fax 02743/3685
Internet: www.mabe.de
E-Mail: cad@mabe.de

description :

pressure vessel horizontal
10000 l 16 bar

drawing no. :
MB 020102-2.10000V/E

drawing no. of design inspection :

MB 020102-2

revision :
A

date of revision :
07.07.2015

revision only
on CAD