

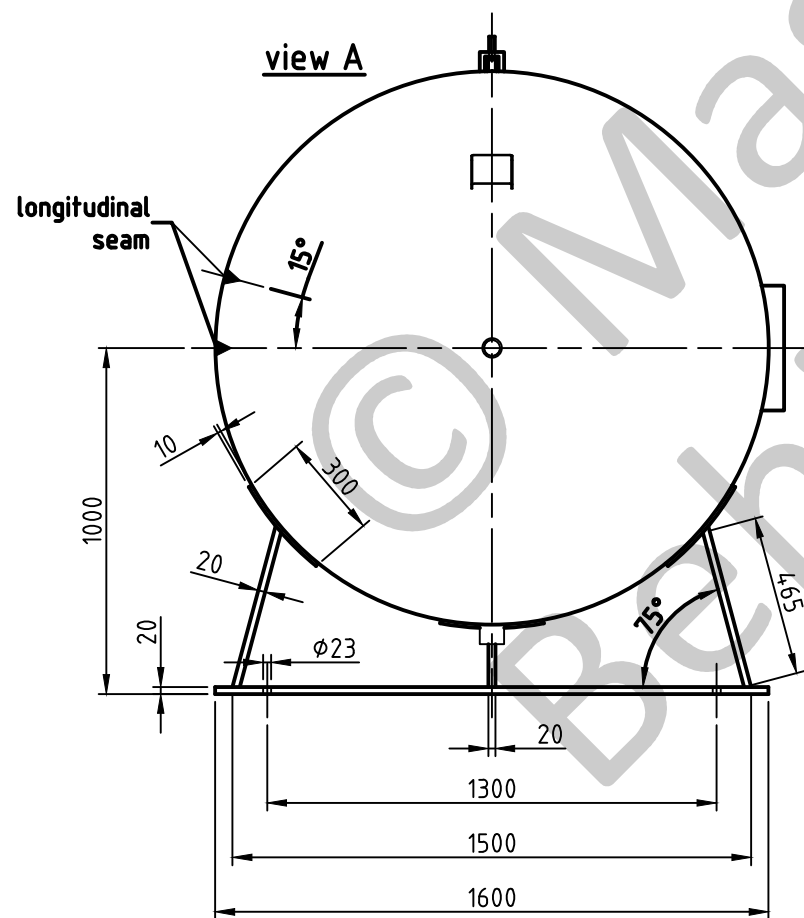
G 2x=G 2 galva.-socket

socket welding

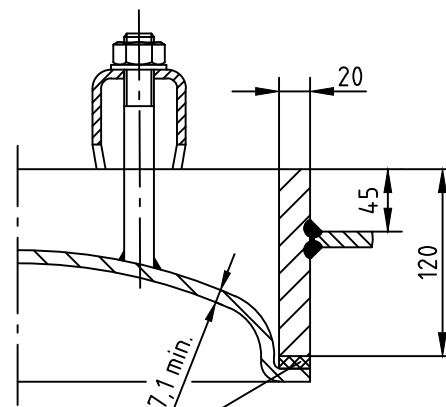
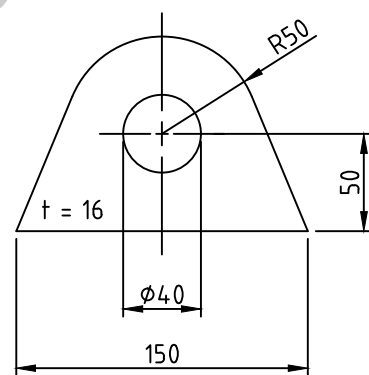
OAB 51 - manhole lock 320/420
tested components

drain and plug socket
inside flush

view A

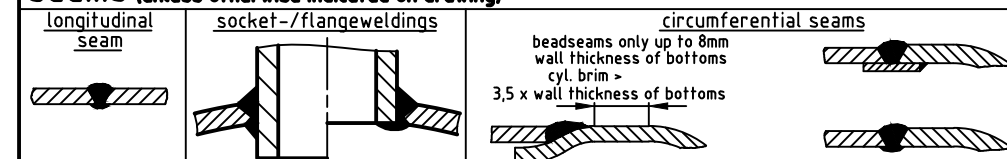


carrier eye



1a rubber gasket up to 70°C

SEAMS (unless otherwise indicated on drawing):



pressure variation :

pressure swing 0-11 bar max. operations 1.000

infinite operation of pressure swing within 20% of 11 bar

operational characteristics / calculation characteristics :

volume V (litre)	: 9000
max. working pressure PS (bar)	: 11
test pressure PT (bar)	: 15,73
min. working temp. TS (°C)	: -10
max. working temp. TS (°C)	: 50
fluid	: compressed air (fluid group 2)
location	: inside and outside building possible

coating :

inside : hot dip galvanized
outside : hot dip galvanized

manufacturing and testing

acc. to PED 2014 / 68 / EU - AD 2000

conformity benchmark :

fluid group : 2	categorie : IV
diagram : 2	module : H1

scale :	1:22.5
our no. :	-
order no. :	-
used for :	M+B Standardvessel
weight :	ca.1680 kg
sheet :	1
of sheet :	1
date of plot :	24.06.2015
file :	ENG-010812

Maschinen- und Behälterbau GmbH

date	name
compl. 24.06.2015	CW
appr. 24.06.2015	Nota 2

follow protection mark acc. to DIN 34

Betzdorfer Str. 170
57567 Daaden
Tel. 02743/9330-12
Fax 02743/3685
Internet: www.mabe.de
E-Mail: cad@mabe.de

description :	
pressure vessel horizontal 9000 l 11 bar	
drawing no. :	revision : A
MB 020102-1.9000V/E	
drawing no. of design inspection :	date of revision : 24.06.2015
MB 020102-1	revision only on CAD