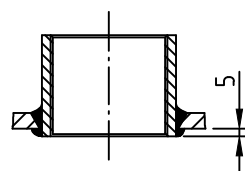
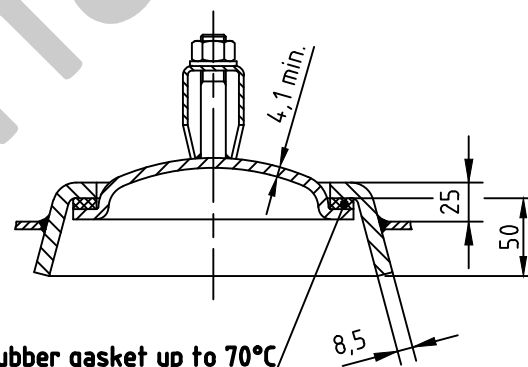


socket welding
drain and plug socket
inside flush

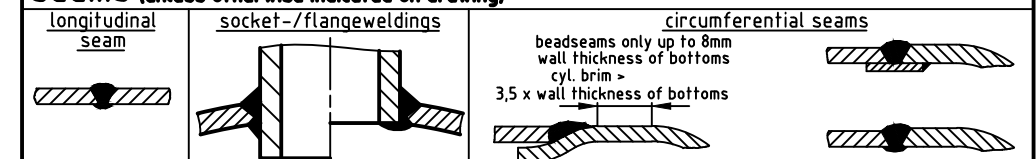


OAB 51 - handhole lock 100/150
tested components



1a rubber gasket up to 70°C

SEAMS (unless otherwise indicated on drawing):



pressure variation :	
pressure swing 0-11 bar max. operations 1.000	
infinite operation of pressure swing within 20% of 11 bar	
operational characteristics / calculation characteristics :	
volume V (litre)	: 750
max. working pressure PS (bar)	: 11
test pressure PT (bar)	: 15,73
min. working temp. TS (°C)	: -20
max. working temp. TS (°C)	: 50
fluid	: compressed air / nitrogen (fluid group 2)
location	: inside and outside building possible

coating :
inside : raw
outside : primed (if customer wishes lacquered) or: inside : hot dip galvanized
outside : hot dip galvanized

manufacturing and testing
acc. to PED 2014 / 68 / EU - AD 2000

conformity benchmark :
fluid group : 2
diagram : 2
categorie : IV
module : H1

scale :	1:15
our no. :	-
order no. :	-
used for :	M+B Standardvessel
weight :	ca.210 kg
sheet :	1
of sheet :	1
date of plot :	22.06.2015
file :	ENG-010780

Maschinen- und Behälterbau GmbH

	date	name
compl.	22.06.2015	CW
appr.	22.06.2015	Nota 2

follow protection mark acc. to DIN 34

Betzdorfer Str. 170
57567 Daaden
Tel. 02743/9330-12
Fax 02743/3685
Internet: www.mabe.de
E-Mail: cad@mabe.de

description :	
pressure vessel horizontal 750 l 11 bar	
drawing no. :	revision : A
MB 030602-1.750/E	
drawing no. of design inspection :	date of revision : 22.06.2015
MB 030602-1	revision only on CAD