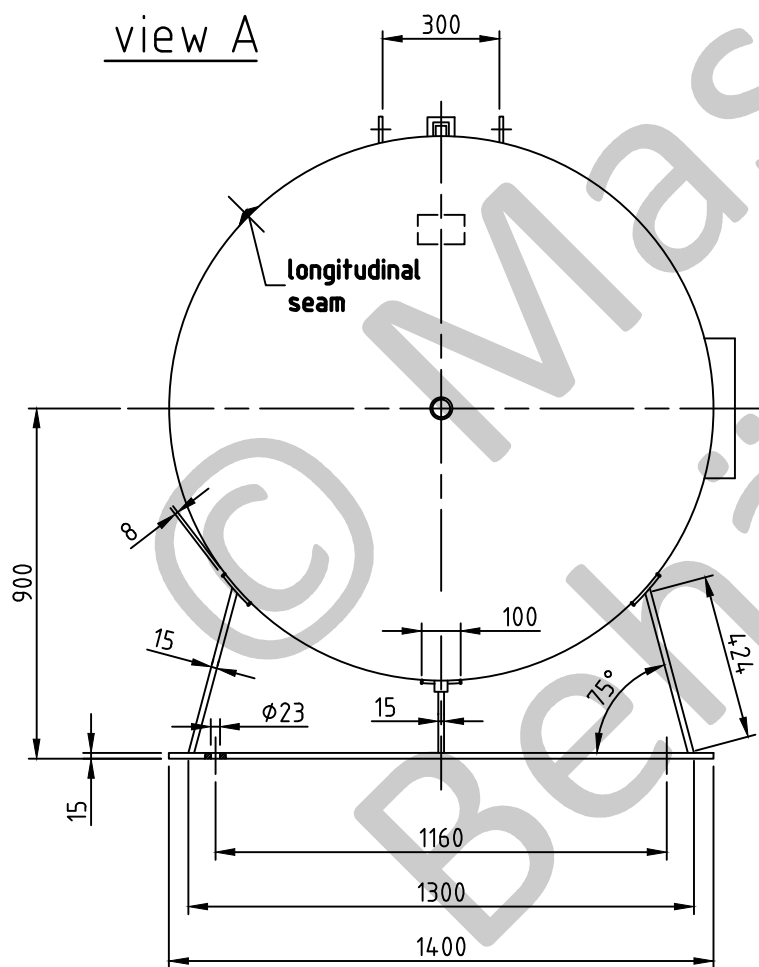
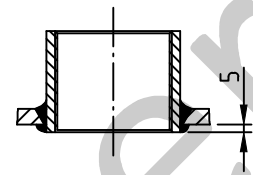


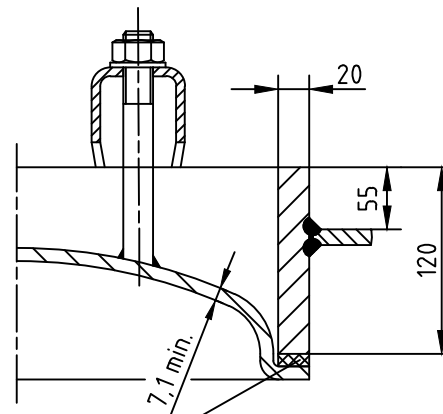
view A



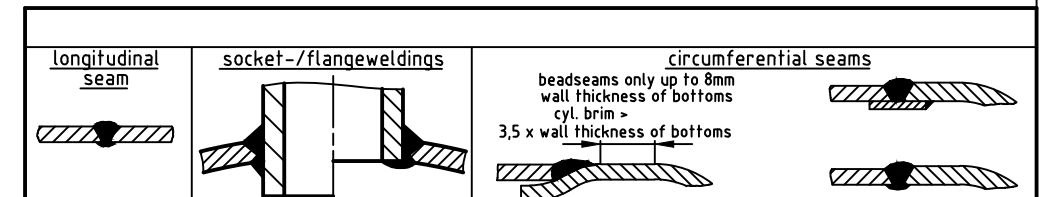
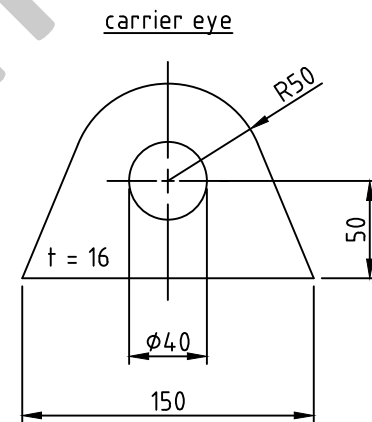
socket welding
drain and plug socket
inside flush



OAB 51 - manhole lock 320/420
tested components



1a rubber gasket up to 70°C



pressure variation :

pressure swing 0-11 bar max. operations 1.000

infinite operation of pressure swing within 20% of 11 bar

operational characteristics / calculation characteristics :

volume V (litre) : 4000
 max. working pressure PS (bar) : 11
 test pressure PT (bar) : 15,73
 min. working temp. TS (°C) : -10
 max. working temp. TS (°C) : 50
 fluid : compressed air / nitrogen (fluid group 2)
 location : inside and outside building possible

coating :

inside : raw
 outside : primed (if customer wishes lacquered)

manufacturing and testing

acc. to PED 2014 / 68 / EU - AD 2000

conformity benchmark :

fluid group : 2
 diagram : 2
 categorie : IV
 module : H1

scale :	1:20
our no. :	-
order no. :	-
used for :	M+B Standardvessel
weight :	ca.880 kg
sheet :	1
of sheet :	1
date of plot :	23.06.2015
file :	ENG-010797

Maschinen- und Behälterbau GmbH

date	name
compl. 23.06.2015	CW
appr. 23.06.2015	Nota 2

follow protection mark acc. to DIN 34

Betzdorfer Str. 170
 57567 Daaden
 Tel. 02743/9330-12
 Fax 02743/3685
 Internet: www.mabe.de
 E-Mail: cad@mabe.de

description :

pressure vessel horizontal
 4000 l 11 bar

drawing no. :
MB 020102-1.4004G/E

drawing no. of design inspection :

MB 020102-1

revision :
A

date of revision :
 23.06.2015

revision only
 on CAD