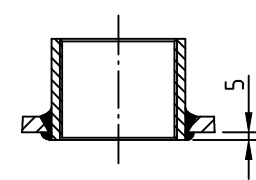
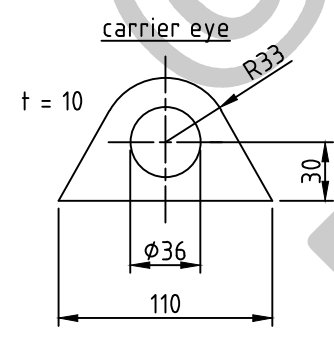
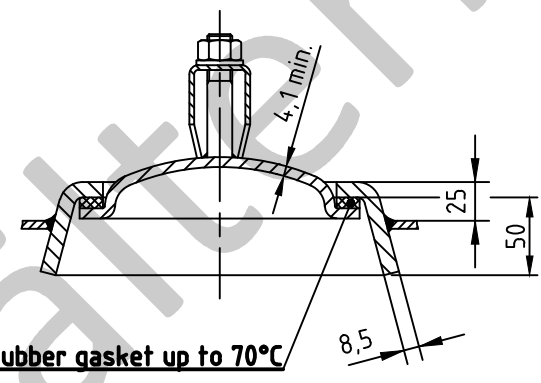


pressure variation :	
pressure swing 0-11 bar max. operations 1.000	
infinite operation of pressure swing within 20% of 11 bar	
operational characteristics / calculation characteristics :	
volume V (litre)	: 1500
max. working pressure PS (bar)	: 11
test pressure PT (bar)	: 15,73
min. working temp. TS (°C)	: -20
max. working temp. TS (°C)	: 50
fluid	: compressed air / nitrogen (fluid group 2)
location	: inside and outside building possible
coating :	
inside	: raw
outside	: primed (if customer wishes lacquered)
manufacturing and testing	
acc. to PED 2014 / 68 / EU - AD 2000	
conformity benchmark :	
fluid group : 2	categorie : IV
diagram : 2	module : H1

socket welding  
drain and plug socket  
inside flush



OAB 51 - handhole lock 100/150  
tested components



scale :	1:15
our no. :	-
order no. :	-
used for :	M+B Standardvessel
weight :	ca.390 kg
sheet :	1
of sheet :	1
date of plot :	22.06.2015
file :	ENG-010783

**Maschinen- und Behälterbau GmbH**

	date	name
compl.	22.06.2015	CW
appr.	22.06.2015	Nota 2

follow protection mark acc. to DIN 34

Betzdorfer Str. 170  
57567 Daaden  
Tel. 02743/9330-12  
Fax 02743/3685  
Internet: www.mabe.de  
E-Mail: cad@mabe.de

description :	
pressure vessel horizontal 1500 l 11 bar	
drawing no. :	revision : A
MB 020102-1.1500G/E	
drawing no. of design inspection :	date of revision : 22.06.2015
MB 020102-1	revision only on CAD